

Oil-injected Air-end V75



PROFILE: Designed to offer maximum performance even in extreme conditions, efficiency and duration. It guarantees high airflow with a minimum energy consumption.

BEARINGS: Radial and thrust bearings are created to be lasting. Only first-quality bearings are used.

FRONT SEALINGS: No oil loss thanks to excellent materials and suitable dimensions. User-friendliness for a simple and fast replacement.

APPLICATION: For belt and direct connections.

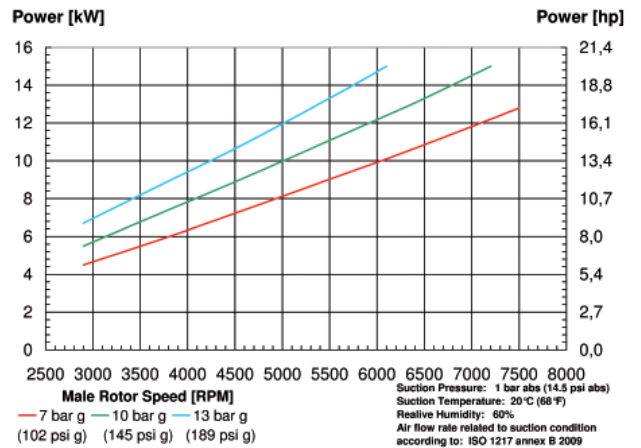
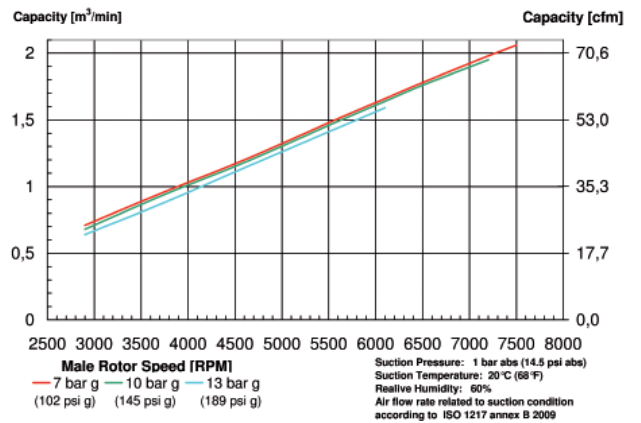
ASSEMBLY: Body parts are joined with O-rings. In this way, the maintenance is easy, fast and reliable.

ROTOR ADJUSTMENT: Threaded rings are used to adjust rotors for a very fast, reliable and repeatable maintenance.

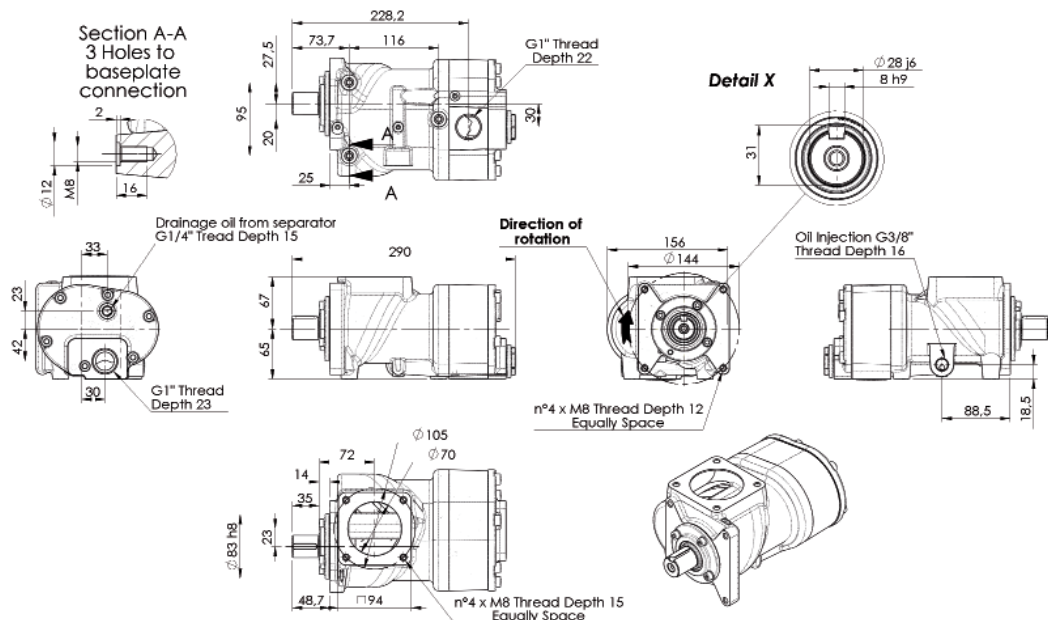
TECHNICAL DATA

Size	V75	
Drive	Direct by coupling or belt	
Outside male diameter:	mm	73,4
	inch	2,88
Outside female diameter:	mm	56,6
	inch	2,22
L/D:	1,65	
Air Capacity (ISO 1217 ANNEX B 2009)	m ³ /min	0,65 - 2,1
	cfm	23 - 74
Max Working Pressure	bar g	13
	psi g	189
Min Working Pressure	bar g	5
	psi g	73
Oil injected Quantity	L/min	20-28
	gal/min (US)	5,3 - 7,4
Max Input Power	kW	15
	hp	20
Max main rotor speed	rpm	7500
Max outlet air/oil Temperature	°C	105
	°F	221
Weight	kg	16
	lb	35

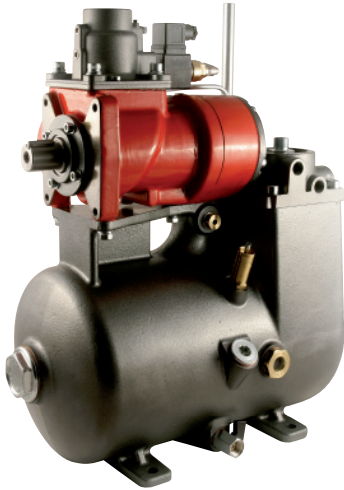
Air flow rate related to suction condition according to ISO 1217 Annex B 2009: relative humidity=60%; suction press. (abs)=1 bar; suction temp.=20°C; disch. temp.=80°C



Drawing dimensions in mm.
Inch dimensions available on VMC website.



Pack Smart V75



AIR END: Top quality components and cutting-edge technology ensures maximum quality, reliability and performance in the long run.

INTAKE ADJUSTMENT: Available in the ON/OFF or non-return version.

MINIMUM PRESSURE VALVE: Inside components in stainless steel, viton seals. Check-valve included. Adjustment of the opening pressure.

THERMOSTATIC VALVE: Simple and reliable with total filtration. Different working temperatures available.

OIL RECOVERY VIEWER: Equipped with calibrated nozzle. Transparent surface for immediate control of correct operations and check-valve.

SAFETY VALVE: CE certified, available for different operating pressures.

TANK SEPARATOR: Tested and certified for operating pressures up to 15 bars. Equipped with filling plug, drainage tap and oil level viewer.

TECHNICAL DATA

Size		Pack Smart V75
		For performances data see V75 technical data
Oil Inlet/Outlet		Rp 3/8"
Air outlet (From MPV)		Rp 1/2"
Oil nipples Size		3/4" - 16UNF, G 3/4" or 1" - 12UNF
Air nipples Size		M22x1,5 or M24x1,5
Thermostat Temp. Setting	°C	Three thermostat available: 55-70; 71-85 or 83-95
	°F	Three thermostat available: 131-158; 159,8-185 or 181,4-203
Materials		Unit is made in anodized aluminium alloy, steel and cast iron. Inside parts in aluminium alloy, steel, brass and viton sealing.
A	mm	337
	inch	13,26
A1	mm	345
	inch	13,58
B	mm	270
	inch	10,62
C1	mm	442
	inch	17,4
K	mm	492
	inch	19,37
Weight	kg	50
	lb	110

