

Oil-injected Air-end V60



PROFILE: Designed to offer maximum performance even in extreme conditions, efficiency and duration. It guarantees high airflow with a minimum energy consumption.

BEARINGS: Radial and thrust bearings are created to be lasting. Only first-quality bearings are used.

FRONT SEALINGS: No oil loss thanks to excellent materials and suitable dimensions. User-friendliness for a simple and fast replacement.

APPLICATION: For belt and direct connections.

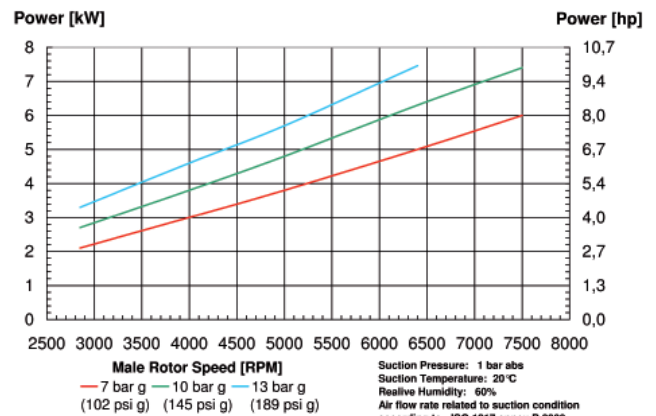
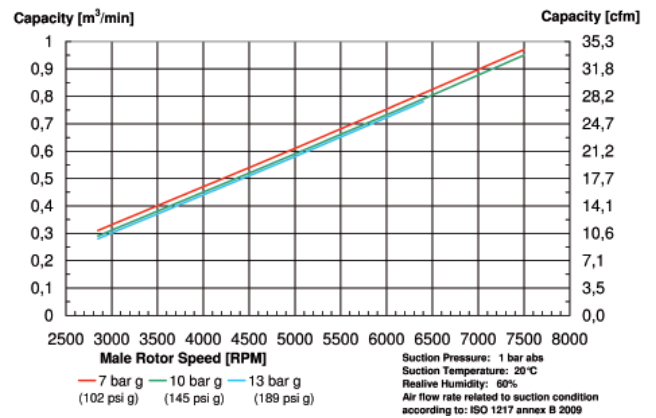
ASSEMBLY: Body parts are joined with O-rings. In this way, the maintenance is easy, fast and reliable.

ROTOR ADJUSTMENT: Threaded rings are used to adjust rotors for a very fast, reliable and repeatable maintenance.

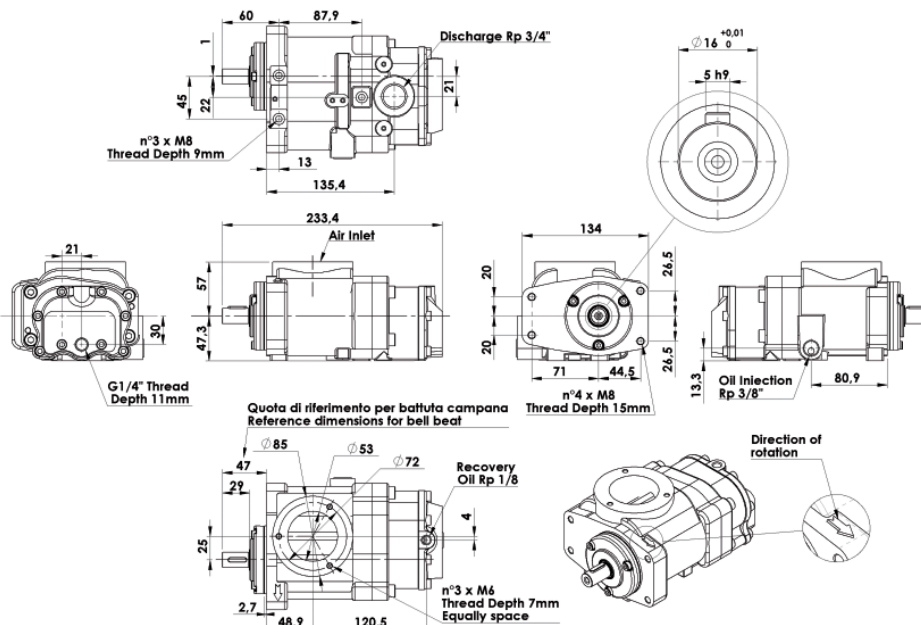
TECHNICAL DATA

Size	V60	
Drive	Direct by coupling or belt	
Outside male diameter:	mm	59,7
	inch	2,35
Outside female diameter:	mm	47,7
	inch	1,88
L/D:	1,55	
Air Capacity (ISO 1217 ANNEX B 2009)	m ³ /min	0,28 - 0,97
	cfm	10 - 34
Max Working Pressure	bar g	13
	psi g	189
Min Working Pressure	bar g	5
	psi g	73
Oil injected Quantity	L/min	11 - 15
	gal/min (US)	2,9 - 4
Max Input Power	kW	7,5
	hp	10
Max main rotor speed	rpm	7500
Max outlet air/oil Temperature	°C	105
	°F	221
Weight	kg	8,9
	lb	20

Air flow rate related to suction condition according to ISO 1217 Annex B 2009: relative humidity=60%; suction press. (abs)=1 bar; suction temp.=20°C; disch. temp.=80°C



Drawing dimensions in mm.
Inch dimensions available on VMC website.



Pack Smart V60



AIR END: Top quality components and cutting-edge technology ensures maximum quality, reliability and performance in the long run.

INTAKE ADJUSTMENT: Available in the ON/OFF or non-return version.

MINIMUM PRESSURE VALVE: Inside components in stainless steel, viton seals. Check-valve included. Adjustment of the opening pressure.

THERMOSTATIC VALVE: Simple and reliable with total filtration. Different working temperatures available.

OIL RECOVERY VIEWER: Equipped with calibrated nozzle. Transparent surface for immediate control of correct operations and check-valve.

SAFETY VALVE: CE certified, available for different operating pressures.

TANK SEPARATOR: Tested and certified for operating pressures of up to 15 bars. Equipped with filling plug, drainage tap and oil level viewer.

TECHNICAL DATA

Size		Pack Smart V60D	Pack Smart V60B
Power	kW	from 2,2 to 3	from 4 to 7,5
	hp	from 3 to 4	from 5,5 to 10
Drive		Direct	Belt
Air Capacity (ISO 1217 ANNEX B 2009)	m ³ /min	see diagram of V60	
Working Pressure	bar	see diagram of V60	
Oil Flow Rate	L/min	12.5 max	15 max
	gal/min (US)	3,3 max	4 max
Oil Inlet/Outlet		Rp 3/8"	Rp 3/8"
Air outlet (From MPV)		Rp 1/2"	Rp 1/2"
Oil nipples Size		3/4"-16 UNF, G 3/4" or 1"-12 UNF	
Air nipples Size		M22 x 1.5 or M24 x 1.5	
Thermostat Temp. Setting	°C	Three thermostat available: 55-70; 71-85 or 83-95	
	°F	Three thermostat available: 131-158; 159,8-185 or 181,4-203	
Materials		Unit is made in anodized aluminium alloy, steel and cast iron. Inside parts in aluminium alloy, steel, brass and viton sealing.	
A	mm	223	256
	inch	8,77	10,07
A1	mm	213	246
	inch	8,38	9,68
B	mm	270	254
	inch	10,62	10
C1	mm	424	369
	inch	16,69	14,52
K	mm	330	368
	inch	12,99	14,48
Weight	kg	19	31
	lb	42	68

