

Intake Valve

RB Series



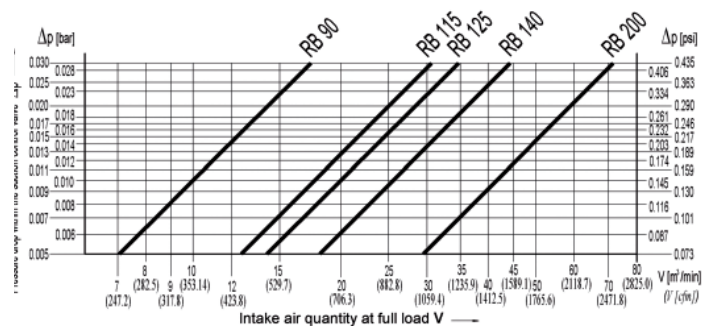
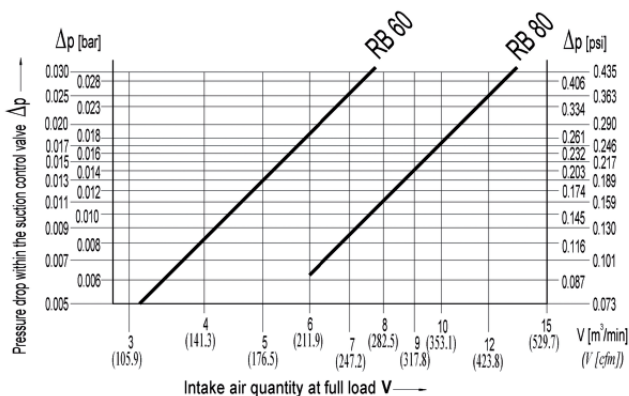
APPLICATION: Installed on the compressor inlet to control compressor capacity. During normal operation the valve open and close in response to a control signal to meet the air demand. Stepless or two point capacity controls are available. At the shut-down a check valve stays closed to prevent back flow through the compressor also if the air flow is interrupted. Many solutions are available for stationary or mobile compressors.

INSTALLATION: On the suction flange of the air-end, either directly or by flange adapt or, depending on the type of air-end. The valve must be connect to the signal pressure and solenoid valve.

REPLACEMENT: The stress on valve parts depends on compressor application and operating parameters. Inspect the valve and replace, using VMC spare parts kit, after 8.000 operating hours.

TECHNICAL DATA

Size	RB60	RB80	RB90	RB115	RB125	RB140	RB200
Flow rate fully open m ³ /min-cfm	See the diagram						
Nominal Diameter mm-inch	Ø60 - Ø2,36	Ø80 - Ø3,15	Ø90 - Ø3,54	Ø115 - Ø4,52	Ø125 - Ø4,92	Ø140 - Ø5,5	2xØ140 - N°2x Ø 5,5
Working pressure	up to 16Bar - up to 232 psi						
Working system Available	RB...NR for Non-return control RB...E for On/Off start-up system with suction control valve closed RB...P for Stepless control with suction control valve closed RB...PM for Mobile compressor with suction control valve open						
Adjustment	Adjustable control service to unload vessel through inlet manifold during idling						
Solenoid valve Voltage	24V, 110V or 230V						
Materials	Housing in Aluminium alloy anodized. Internal parts in Stainless Steel, Viton sealings, and Brass.						
Weight kg - lb	2,2 - 4,85	3 - 6,6	6,5 - 14,33	10 - 22	12 - 26,45	12,3 - 27,1	25,3 - 55,77



Intake Valve

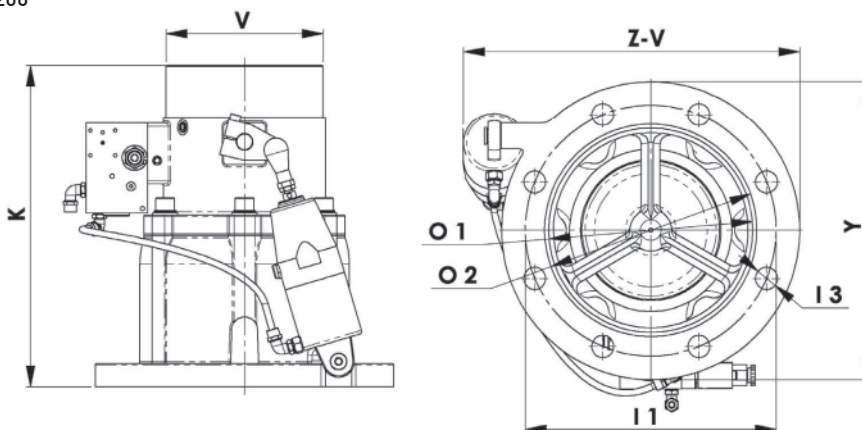
RB Series

TECHNICAL DATA

Size	RB60R	RB60T	RB60GTr	RB80	RB90	RB115	RB125	RB140	RB200
Bolt holes Nr.	4	4	4	4	4	8	8	12	12
Y mm-inch	125 - 4,92	135 - 5,3	135 - 5,3	155 - 6,1	155 - 6,1	Ø255 - Ø10	Ø285 - Ø11,22	Ø340 - Ø13,38	Ø460 - Ø18,1
Z-V mm-inch	177 - 6,96	177 - 6,96	177 - 6,96	203 - 8	310 - 12,2	300 - 11,8	345 - 13,58	351 - 13,81	500 - 19,68
K mm-inch	197 - 7,75	197 - 7,75	197 - 7,75	230 - 9,05	238 - 9,37	308 - 12,12	308 - 12,12	321 - 12,63	350 - 13,77
V mm-inch	Ø70 - Ø2,75	Ø70 - Ø2,75	Ø70 - Ø2,75	Ø100 - Ø3,93	Ø100 - Ø3,93	Ø150 - Ø5,9	Ø150 - Ø5,9	Ø150 - Ø5,9	N°2xØ150 - N°2xØ5,9
I1 mm-inch	Ø110 - Ø4,33	Ø129 - Ø5,07	-	Ø150 - Ø5,9	Ø160 - Ø6,3	Ø225 - Ø8,85	Ø240 - Ø9,45	Ø295 - Ø11,6	Ø410 - Ø16,14
I2 mm-inch	Ø135 - Ø5,3	Ø150 - Ø5,9	Ø150 - Ø5,9	Ø180 - Ø7,1	Ø180 - Ø7,1	-	-	-	-
I3 mm-inch	Ø13 - Ø0,51	Ø13 - Ø0,51	Ø17 - Ø0,67	Ø17 - Ø0,67	Ø17 - Ø0,67	Ø17 - Ø0,67	Ø21 - Ø0,82	Ø21 - Ø0,82	Ø25 - Ø0,98
O1 mm-inch	Ø86 - Ø3,38	Ø107 - Ø4,21	Ø107 - Ø4,21	Ø123 - Ø4,84	Ø127 - Ø5	Ø195 - Ø7,67	Ø195 - Ø7,67	Ø248 - Ø9,76	Ø329,5 - Ø12,97
O2 mm-inch	Ø92 - Ø3,62	Ø113 - Ø4,45	Ø113 - Ø4,45	Ø129 - Ø5,07	Ø133 - Ø5,23	Ø203 - Ø7,99	Ø203 - Ø7,99	Ø259 - Ø10,2	Ø341,5 - Ø13,44

Attention: The drawing below is not suitable for all models. Please log on to our webiste for specific drawings.

RB115 - RB125 - RB140 - RB200



RB60 - RB80 - RB90

